

PRODUCT INFORMATION PACKET

Model No: 215TBDW7029
Catalog No: Z411
7 1/2,1733,DP,215JM,1/60/230
JM



Regal and Marathon are trademarks of Regal Beloit Corporation or one of its affiliated companies.
©2018 Regal Beloit Corporation, All Rights Reserved. MC017097E



Nameplate Specifications

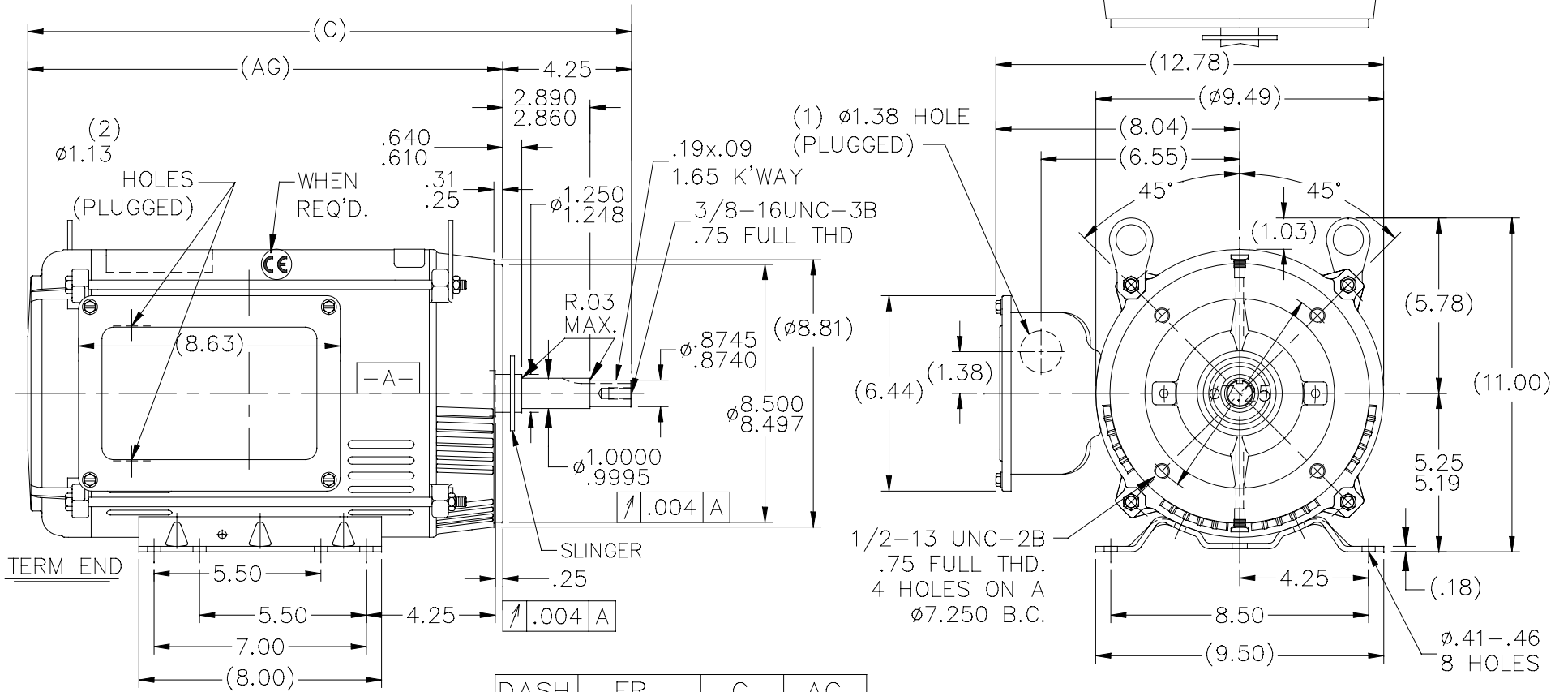
Output HP	7.50 Hp	Output KW	5.6 kW
Frequency	60 Hz	Voltage	230 V
Current	34.5 A	Speed	1735 rpm
Service Factor	1.15	Phase	1
Efficiency	84 %	Duty	Continuous
Insulation Class	F	Design Code	L
KVA Code	G	Frame	215JM
Enclosure	Drip Proof	Overload Protector	No
Ambient Temperature	40 °C	Drive End Bearing Size	6309
Opp Drive End Bearing Size	6206	UL	Recognized
CSA	Y	CE	Y
IP Code	22		

Technical Specifications

Electrical Type	Capacitor Start Capacitor Run	Starting Method	Across The Line
Poles	4	Rotation	Selective Counterclockwise
Mounting	Rigid base	Motor Orientation	Horizontal
Drive End Bearing	Ball	Opp Drive End Bearing	Ball
Frame Material	Rolled Steel	Shaft Type	JM
Overall Length	19.92 in	Frame Length	11.15 in
Shaft Diameter	0.875 in	Shaft Extension	4.25 in
Assembly/Box Mounting	F1 Only		
Outline Drawing	037643-1115	Connection Diagram	A-EE9048MF

This is an uncontrolled document once printed or downloaded and is subject to change without notice. Date Created: 06/29/2018

037643



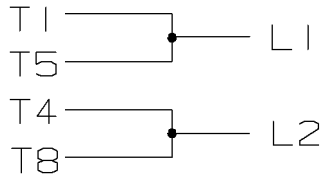
DASH	FR.	C	AG
965	213JM	18.42	14.17
1115	213/15JM	19.92	15.67
1240	213/15JM	21.17	16.92

ORACLE REV 001

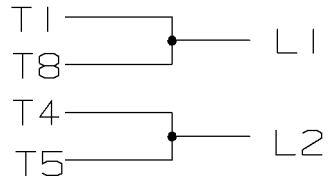
NOTES:
1. NAMEPLATE TO BE READ FROM C'BOX SIDE OF MOTOR.

		TOLERANCES UNLESS SPECIFIED		MARATHON ELECTRIC		DRAWN GRB 11/14/08		
		DEC.	INCHES			CHK	SK 11/14/08	
		.X	$\pm .1$			APPD		
		.XX	$\pm .03$	TITLE OUTLINE - 210JM FR. DP - 'C' FACE		SCALE 1=4.2		
		.XXX	$\pm .005$			REF SS86664		
F	ADDED "AJ" DIM OF 7.250 ECO 0083886	GWS	8/21/15	.XXXX	$\pm .0005$	MAT'L.		
NO.	REVISION	BY & DATE	CHK	ANG	$\pm 7'30"$	FINISH		
THIS DRAWING IN DESIGN AND DETAIL IS OUR PROPERTY AND MUST NOT BE USED EXCEPT IN CONNECTION WITH OUR WORK ALL RIGHTS OF DESIGN AND INVENTION ARE RESERVED THIS IS AN ELECTRONICALLY GENERATED DOCUMENT - DO NOT SCALE THIS PRINT		RFP	CAD FILE 037643			SIZE	DRAWING NO. PAGE 1 OF 1	REV.
		DIST	LB			A	037643	F

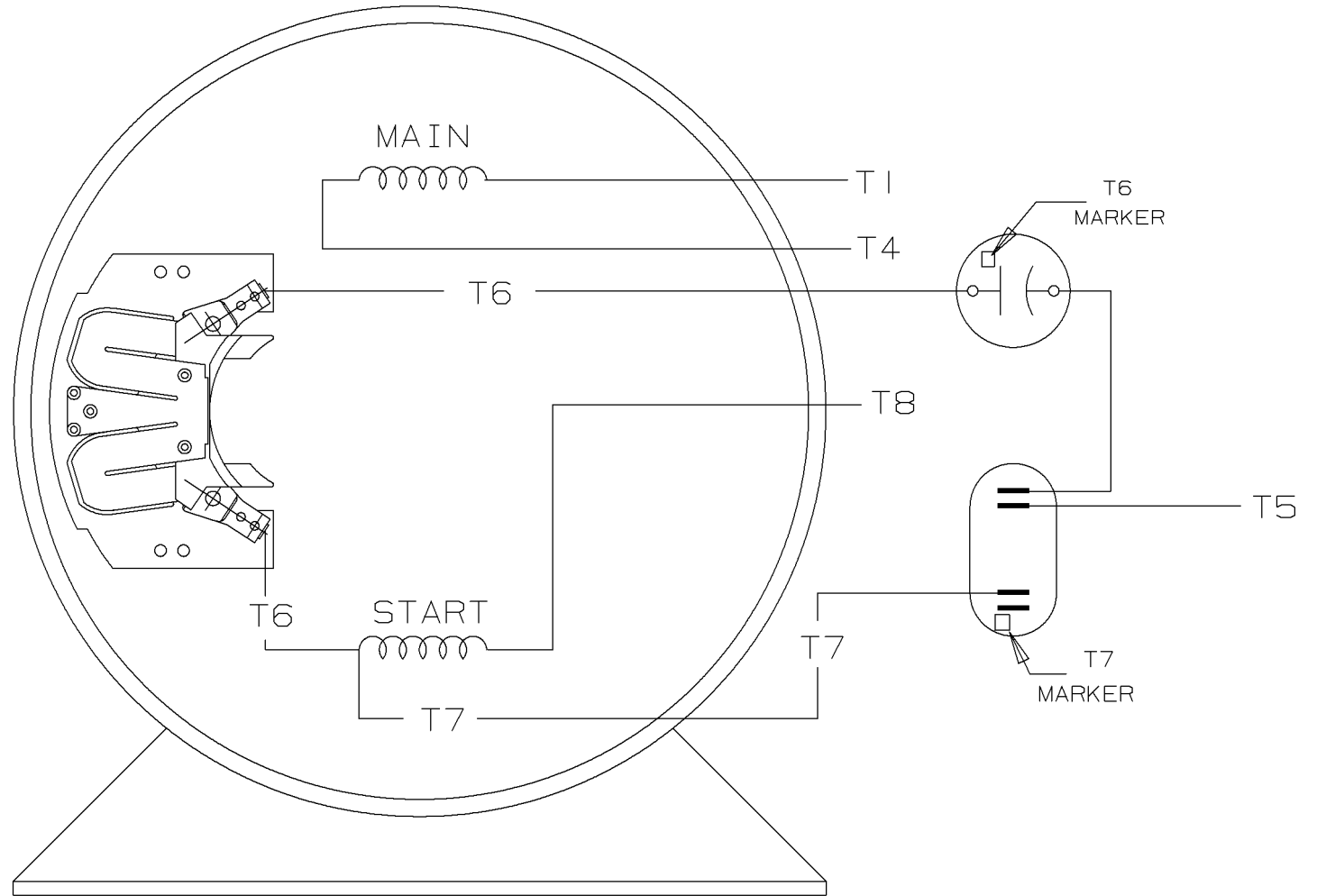
C.W. ROTATION



C.C.W. ROTATION



SINGLE VOLTAGE
CAPACITOR START
CAPACITOR RUN
REVERSIBLE



VIEW OF TERMINAL END

				✓ MAX. SURFACE ROUGHNESS UNLESS NOTED OTHERWISE	UNLESS OTHERWISE SPECIFIED DIMENSIONS ARE IN INCHES TOL. ON XX± XXX±.005 XXXX±.0005 ANGLES±		
				MATL SPEC	180 - 210 SWITCH	DRAWN BY GK	11-01-1986
				FINISH	MARATHON ELECTRIC	CHKD BY ML	11-01-1986
I	11-04-1986	NEW DRAWING	CN 7664C	GK	REFERENCE DRW.	WAUSAU, WISCONSIN 54401	APPD BY FG 11-04-1986
REV	DATE	CHANGE	NAME	PART NAME CONNECTION DIAGRAM			DRWG NO A-EE9048MF

SHOP BOOK

PURCHASED

DISTRIBUTION - WA - LB - WP - LM - BR

CADD FILE NO.

EE9048MF

